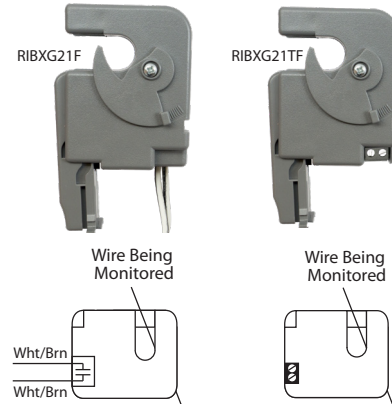
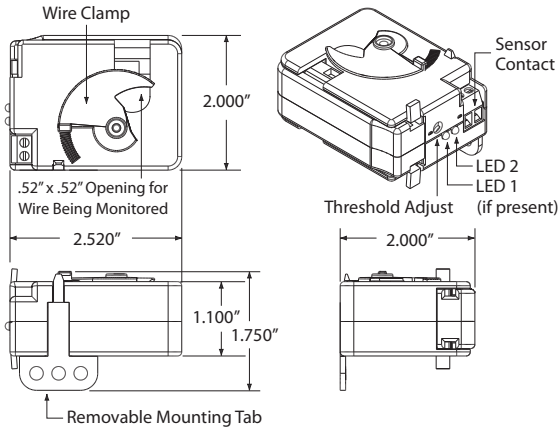


AC CURRENT SWITCHES

RIBXG21 Series

Current Switches, Split Core, Fixed or Adjustable, Up to 150 Amps Sensing Range, 120-277 Vac Switching Voltage, Terminal Strip or Wire Lead Output



SPECIFICATIONS

Operating Temperature: -30 to 140° F

Humidity Range: 5 to 95% (noncondensing)

* **Temperature Derating:** 1 Amp up to 50° C, 0.5 Amp up to 60° C

Max Sense Voltage: 600 Vac

Sensor Contact Status: Monitored current below threshold: Open
 Monitored current above threshold: Closed

Approvals: UL Listed, UL916, C-UL, CE, RoHS

Mounting/Installation: Unit can be secured using the supplied Mounting Tab, the adjustable Wire Clamp, or both.

Origin: Made of US and non-US parts

Notes:

- Use Sensor Contact to switch 120-277 Vac loads only.
- For testing purposes, Sensor Contact will measure approximately 250 Ω when closed and > 10 MΩ when open.
- The Sensor Contact is a Solid State Contact.

RIBXG21 SERIES SELECTION GUIDE

Model#	Sensing Range	Type	Threshold	Sensor Contact Type	Switching Voltage Range	Maximum Switching Current	Sensor Contact Termination	LED 1	LED 2
RIBXG21F	.50-150 Amps AC	Split Core	Fixed, .50 Amp AC	Solid State Switch SPST	120-277 Vac	1 Amp AC *	Wht/Blk 16" 18 AWG Wire Leads		
RIBXG21TF	.50-150 Amps AC	Split Core	Fixed, .50 Amp AC	Solid State Switch SPST	120-277 Vac	1 Amp AC *	Terminal Strip, Accepts #14-22 AWG Wire		
RIBXG21A	.75-150 Amps AC	Split Core	Adjustable	Solid State Switch SPST	120-277 Vac	1 Amp AC *	Wht/Blk 16" 18 AWG Wire Leads	Over Threshold	Under Threshold
RIBXG21TA	.75-150 Amps AC	Split Core	Adjustable	Solid State Switch SPST	120-277 Vac	1 Amp AC *	Terminal Strip, Accepts #14-22 AWG Wire	Over Threshold	Under Threshold